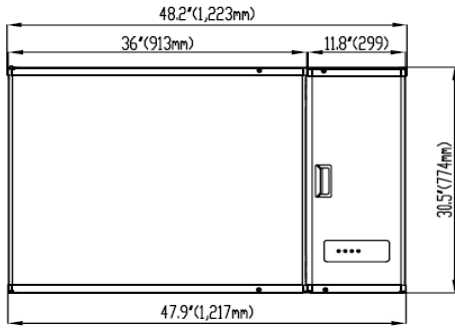
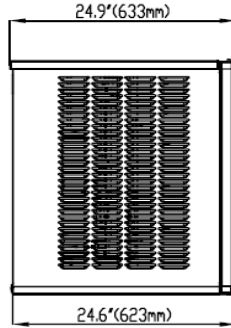


Line Drawings for the following Ictro 48-inch-wide Modular Models: IM-1700-A/W/R, IM-2000-A/W/R (Cube, Half cube)

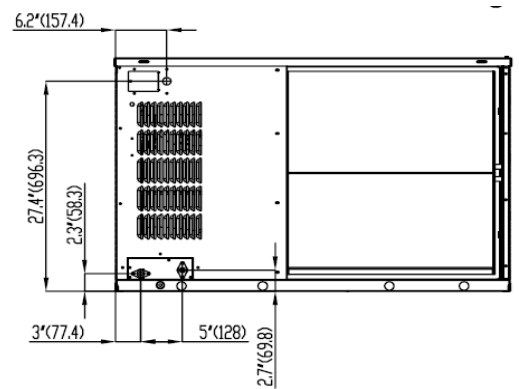
FRONT-Air



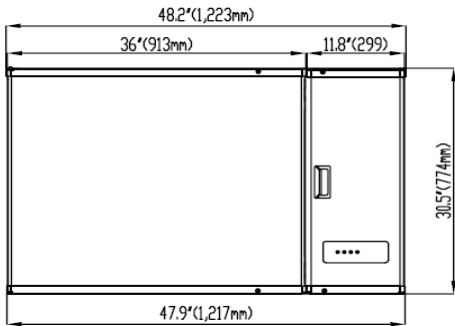
SIDE-Air



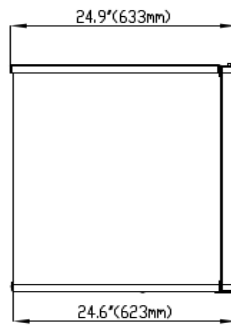
REAR-Air



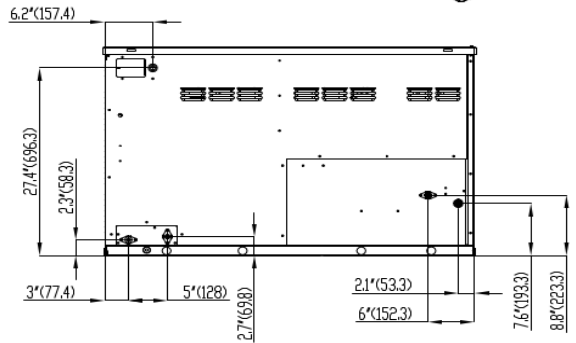
FRONT-Air



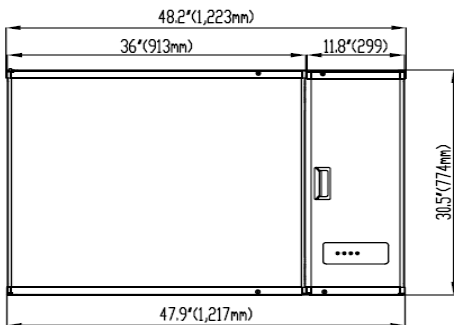
SIDE-Water



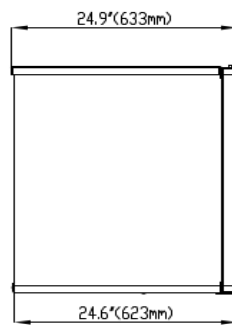
REAR-Water



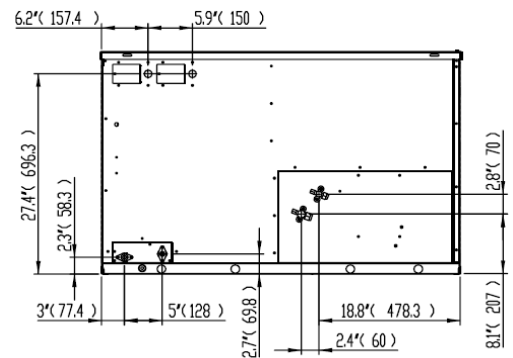
FRONT-Air



SIDE-Remote

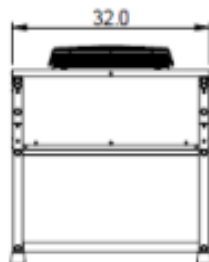


REAR-Remote

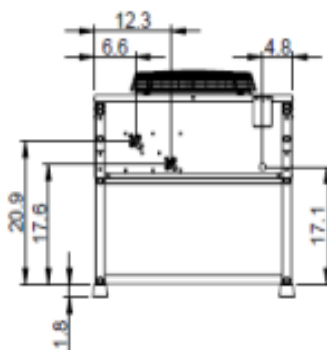


Line Drawings for IRC-2000 Remote Condenser

FRONT



REAR



SIDE

